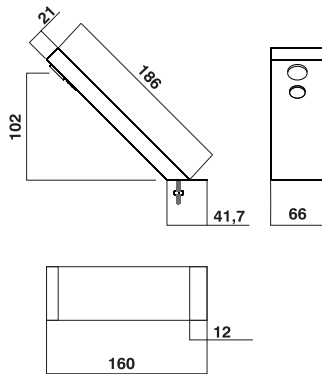


## TAPS

Material : Brass  
Colour : Chromum

**EKE**

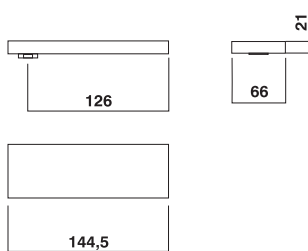
### EKE WORKTOP



#### FEDDING SYSTEM :

ELECTRIC : Connection to electrical network (220V).  
BATTERY : Batery 12V.

### EKE WALL



#### FEDDING SYSTEM :

ELECTRIC : Connection to electrical network (220V).  
BATTERY : Batery 12V.